

INEX
INDEPENDENT EXTRUSIONS LTD



Date	Rev	Description
1		

Press
MEL

Drawn
MSB

Die Size

Agency

Backer

Date
03/12/15

Bolster

Scale
2:1 1:1

Insert

End Use
23473

Cavities

-
M.O.I. mm⁴
Ixx: **7592.48**
Iyy: **152311.05**

Assembles With:-

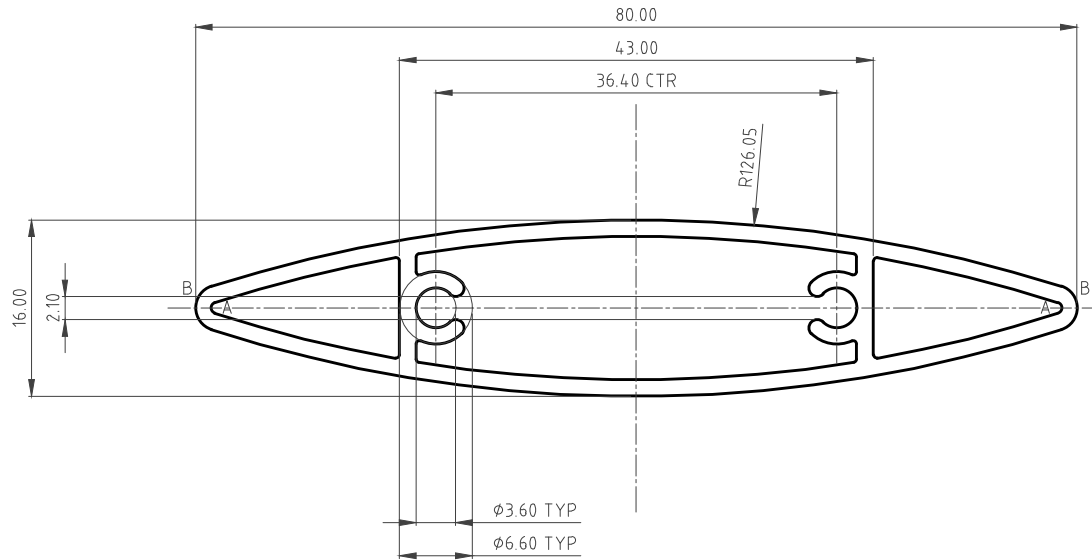
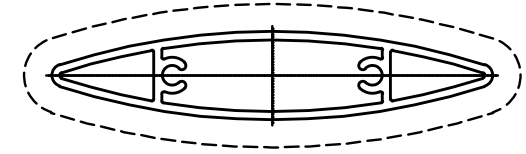
CONCAVITY/CONVEXITY = 0.1mm/25mm SOLIDS.

CONCAVITY/CONVEXITY = 0.15mm/25mm HOLLOW S.

UNLESS OTHERWISE STATED

Unless Otherwise Stated, AS1866 Tolerances Apply

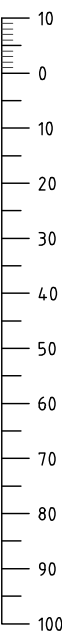
Check Gauge:-



A = 0.50 RAD
B = 2.05 RAD
CRITICAL/EXPOSED SURFACE = - - - - -
SECONDARY SURFACE = _____
CRITICAL DIMENSION =

23473

A3 Original Size



Area mm ²	Weight kg/m	Outer Periphery	Inner Periphery	Alloy / Temper	Customer	Customer Reference	Die Number	Issue
300.3	0.814	167.2	220.7	6060/T5	alspec	S18308	23473	
Unspecified Walls	Unspecified Rads	Paint Periphery	Anodise Periphery	Circ. Circle	Description	Customer Part N°		LVE80
1.50	0.30	<u>167.2</u>	167.2	81	80MM ELLIPTICAL BLADE			