



ALI

AUSTRALIAN LOUVRE INDUSTRIES®

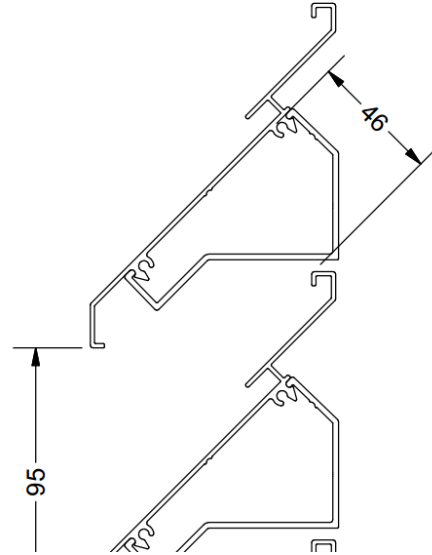
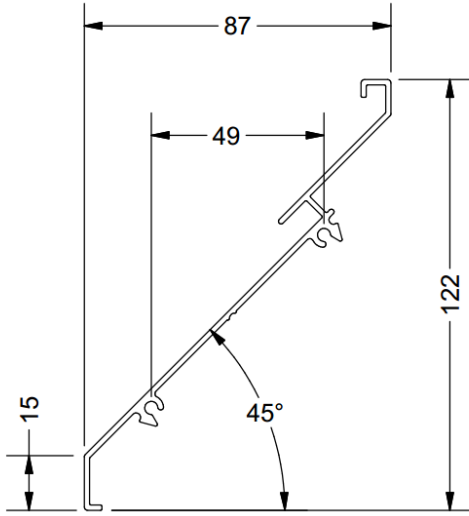
SOLAR SCREENS | LOUVRE GRILLES | SCREENS |
DOORS | PRIVACY | CLADDING | BALUSTRADE

LV 200 | 2016-

Free Air Flow % = Minimum Throat / Pitch x 100

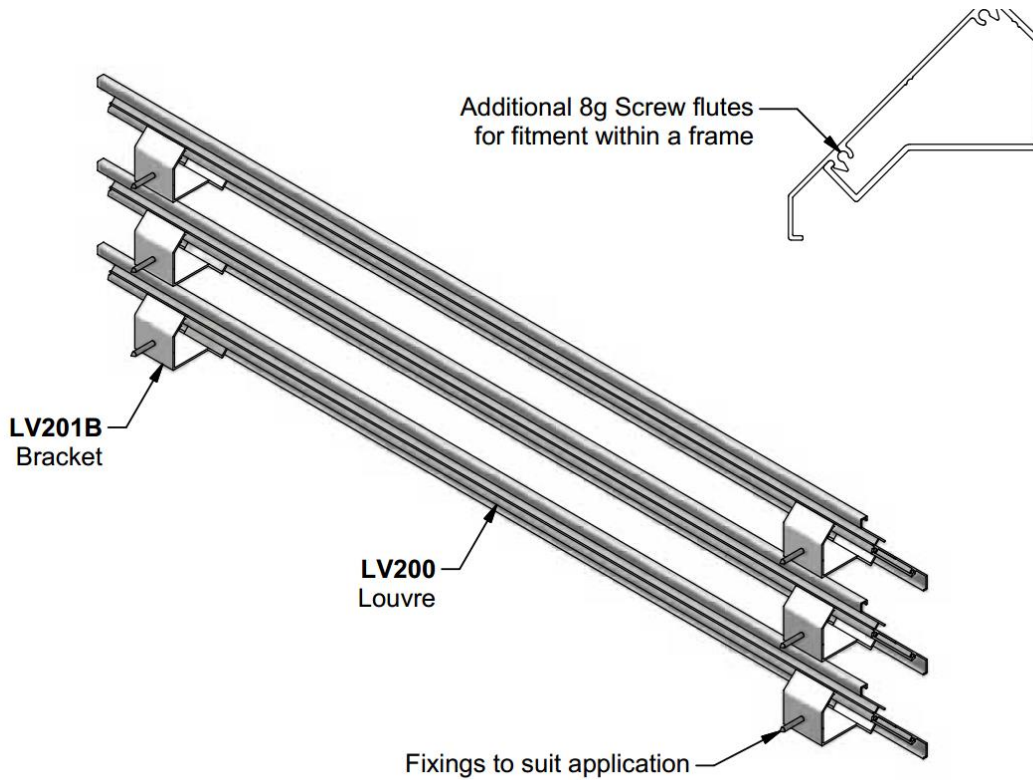
@ 95mm Centres

46 / 95 x 100 = 48% Approx Free Air Flow



Note:

- 1. Recommended maximum unsupported span 1600mm



SALES & BUSINESS DEVELOPMENT
PAUL BENUZZI

Mobile: 0402 083 853
Phone: 08 8351 8016
Email: sales@auslouvre.com.au
AUSTRALIAN MADE | AUSTRALIAN PRODUCT