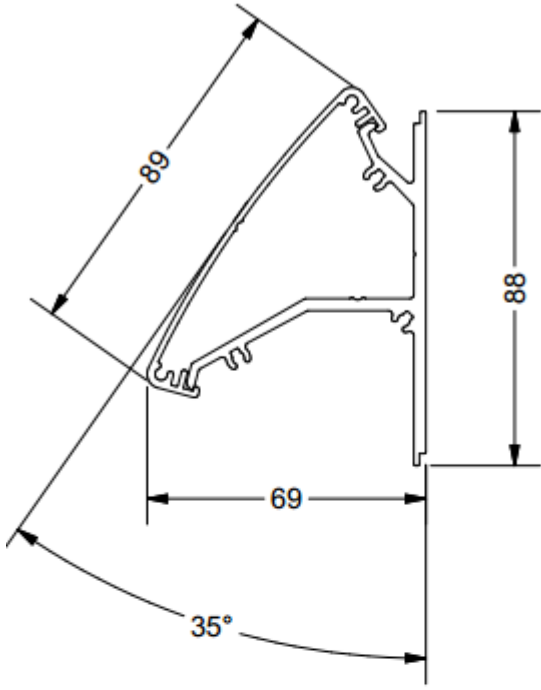
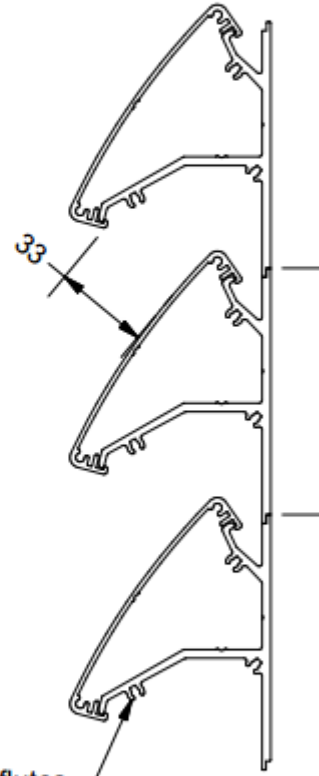


**LSS001 / LSS002 LOUVRE ASSEMBLY DETAILS**


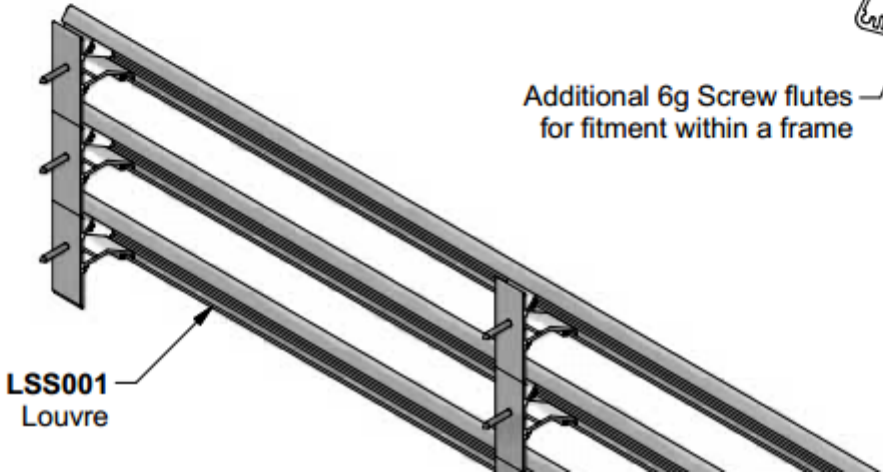
Free Air Flow % = Minimum Throat / Pit

**@ 85mm Fixed Centres**  
 $33 / 85 \times 100 = 39\%$  Approx Free Air Flow



te:  
 Recommended maximum unsupported span 1600mm  
 For spans longer than 1600mm, additional brackets must be added at 1000mm maximum centres, to reduce sagging and blade flutter under high wind load conditions

Additional 6g Screw flutes for fitment within a frame



**LSS001**  
 Louvre