

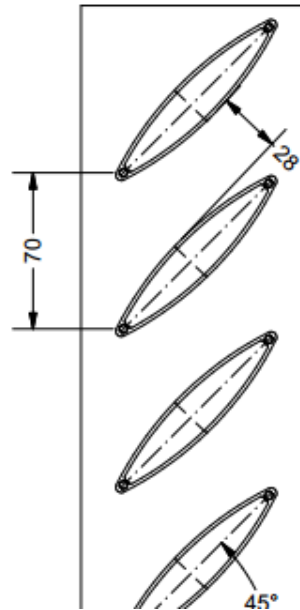
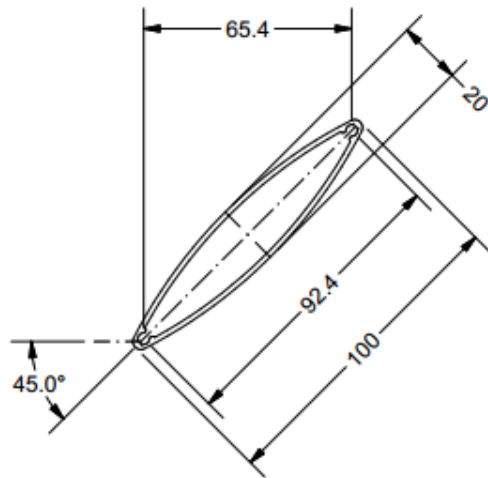


## LVE100 LOUVRE ASSEMBLY DETAILS

### FIXED LOUVRES

Free Air Flow % = Minimum Throat / Pitch x 100

**@ 70mm Centres ( 45 deg )**  
 $28 / 70 \times 100 = 40\%$  Approx Free Air Flow



Note:

1. Recommended maximum unsupported span 1800mm

### LVE 100 | SUN - SCREENS

